

Drill-Deburr Tool

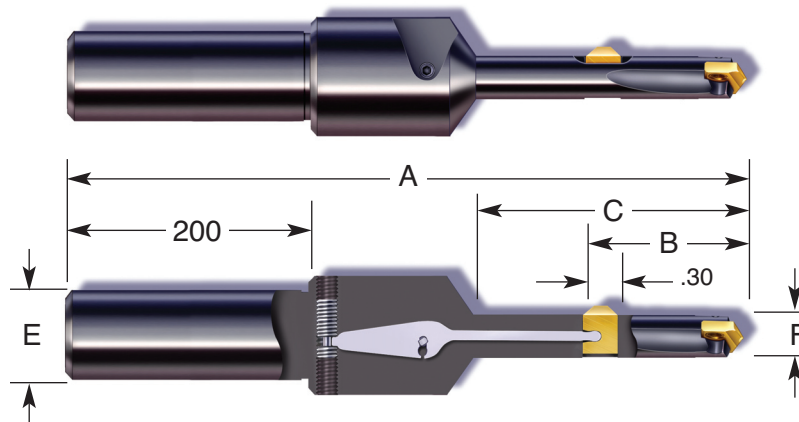
For holes .374" through 1.217" (9.50mm to 31.00mm)

NOMINAL SIZE RANGE*	DRILL RANGE (F)		MAX MAT'L THICKNESS in.	DIM. A in.	DIM. B in.	DIM. C in.	DIA. E in.	INSERT SERIES
	in.	mm						
3/8 - 13/32	0.374 - 0.404	9.50 - 10.26	3/8"	5.72	1.29	1.94	0.625	CTP-A
13/32 - 7/16	0.405 - 0.436	10.27 - 11.07	3/8"	5.72	1.29	1.94	0.625	CTP-B
7/16 - 15/32	0.437 - 0.469	11.08 - 11.91	1/2"	5.72	1.44	2.19	0.625	CTP-B
15/32 - 1/2	0.470 - 0.501	11.92 - 12.73	1/2"	5.72	1.44	2.19	0.625	CTP-B
1/2 - 17/32	0.503 - 0.530	12.74 - 13.46	1/2"	5.75	1.46	2.20	0.750	CTP-C
17/32 - 9/16	0.531 - 0.561	13.47 - 14.25	1/2"	5.75	1.46	2.20	0.750	CTP-C
9/16 - 19/32	0.562 - 0.589	14.26 - 14.96	1/2"	5.75	1.46	2.20	0.750	CTP-C
19/32 - 5/8	0.590 - 0.624	14.97 - 15.85	1/2"	5.75	1.46	2.20	0.750	CTP-C
5/8 - 21/32	0.625 - 0.655	15.86 - 16.64	1/2"	5.75	1.46	2.20	0.750	CTP-C
21/32 - 11/16	0.656 - 0.695	16.65 - 17.65	1/2"	5.75	1.46	2.20	0.750	CTP-C
11/16 - 23/32	0.696 - 0.717	17.66 - 18.21	3/4"	6.19	1.74	2.74	1.000	CTP-C
23/32 - 3/4	0.718 - 0.747	18.22 - 18.97	3/4"	6.19	1.74	2.74	1.000	CTP-C
3/4 - 25/32	0.748 - 0.780	18.98 - 19.81	3/4"	6.19	1.74	2.74	1.000	CTP-C
25/32 - 13/16	0.781 - 0.811	19.82 - 20.60	3/4"	6.19	1.74	2.74	1.000	CTP-C
13/16 - 27/32	0.812 - 0.842	20.61 - 21.39	3/4"	6.19	1.74	2.74	1.000	CTP-C
27/32 - 7/8	0.843 - 0.874	21.40 - 22.20	3/4"	6.19	1.74	2.74	1.000	CTP-C
7/8 - 29/32	0.875 - 0.905	22.21 - 22.99	3/4"	6.19	1.74	2.74	1.000	CTP-C
29/32 - 15/16	0.906 - 0.936	23.00 - 23.77	3/4"	6.19	1.74	2.74	1.000	CTP-C
15/16 - 61/64	0.937 - 0.960	23.78 - 24.38	3/4"	6.19	1.74	2.74	1.000	CTP-C
61/64 - 63/64	0.961 - 0.993	24.39 - 25.22	1.0"	6.42	2.00	3.25	1.250	CTP-C
63/64 - 1 1/32	0.994 - 1.031	25.23 - 26.19	1.0"	6.42	2.00	3.25	1.250	CTP-C
1 1/32 - 1 1/16	1.032 - 1.061	26.20 - 26.95	1.0"	6.42	2.00	3.25	1.250	CTP-C
1 1/16 - 1 5/64	1.062 - 1.092	26.96 - 27.74	1.0"	6.42	2.00	3.25	1.250	CTP-C
1 5/64 - 1 1/8	1.093 - 1.124	27.75 - 28.55	1.0"	6.42	2.00	3.25	1.250	CTP-C
1 1/8 - 1 5/32	1.125 - 1.155	28.56 - 29.34	1.0"	6.42	2.00	3.25	1.250	CTP-C
1 5/32 - 1 3/16	1.156 - 1.186	29.35 - 30.12	1.0"	6.42	2.00	3.25	1.250	CTP-C
1 3/16 - 1 7/32	1.187 - 1.217	30.13 - 31.00	1.0"	6.42	2.00	3.25	1.250	CTP-C

*Specify exact hole size with tolerance

Larger diameters available upon request. Material thickness is not limited to standards maximum.

Above tools are proprietary and are protected by U.S. and international patents. **Tools are sold without drill insert.**



COGSDILL TOOL PRODUCTS, INC.

Mailing Address
P.O. Box 7007
Camden, SC USA 29021-7007
Ph. (803) 438-4000
Fax (803) 438-5263
www.cogsdill.com
cogsdill@cogsdill.com

Shipping Address
1001 Guion Drive
Lugoff, SC 29078

COGSDILL-NUNEATON LIMITED

St George's Way
Bermuda Industrial Estate
Nuneaton, Warwickshire, CV10 7JS, UK
Ph. +44 (0) 2476 383792
Fax +44 (0) 2476 344433
www.cogsdill.co.uk
sales@cogsdill.co.uk

Visit us online

www.cogsdill.com