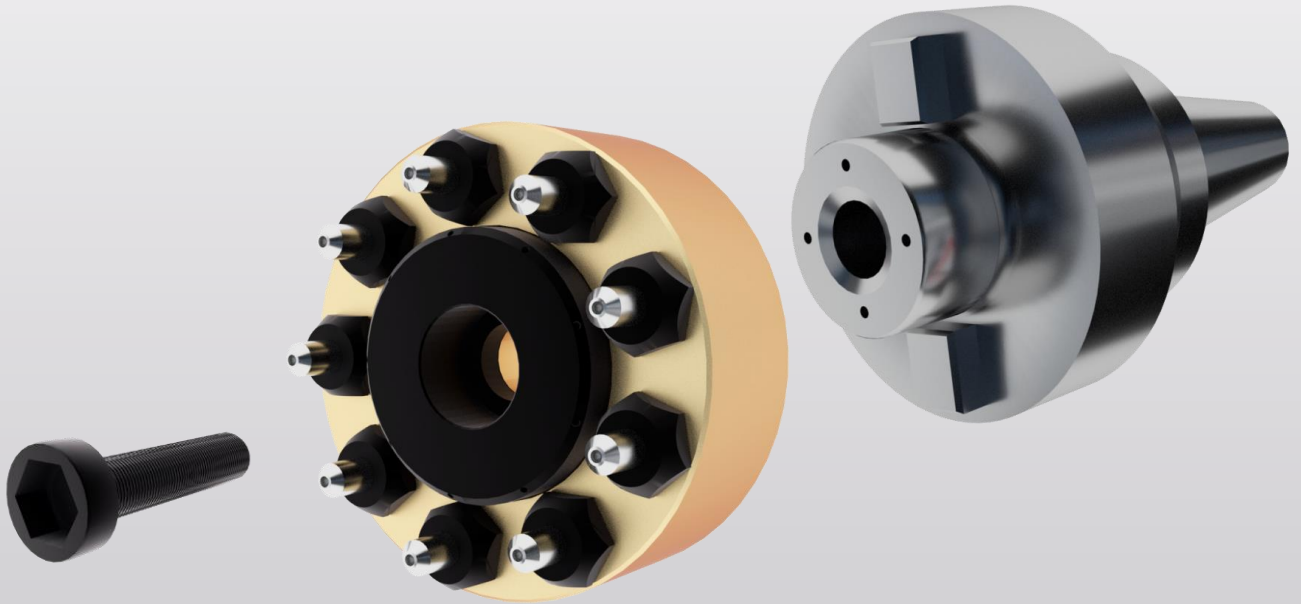
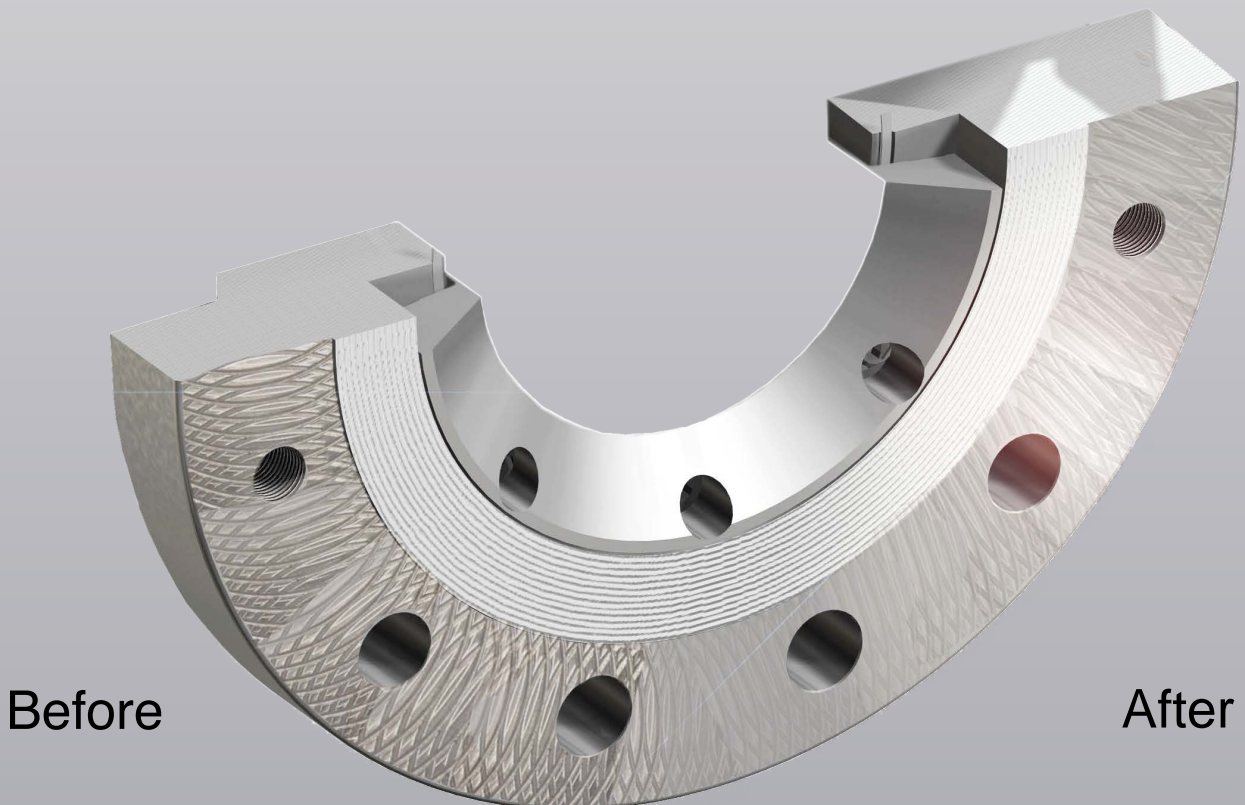




## Diamond Burnish Face Mill Tools



Burnish large flat surfaces *effortlessly*



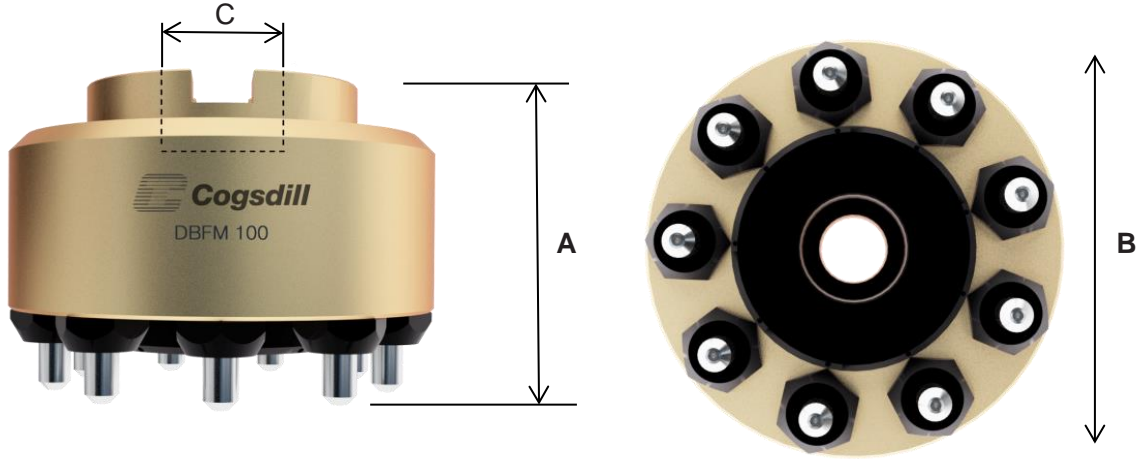
Before

After




## Diamond Burnish Face Mill Tools

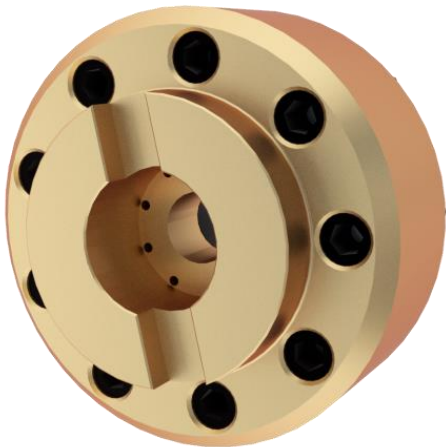
# Specifications



Tool No	Size	A	B	C
DBFM-63	63	89	90	27*
DBFM-80	80	89	110	32*
DBFM-100	100	89	130	40*
DBFM-125	125	89	155	40*

\*Standard Face Mill  
Arbor Size

Nib Code	Size	No. of Nibs
 <b>DB1-040Q</b>	63	5
	80	7
	100	9
	125	11



St Georges Way, Bermuda Industrial Estate  
Nuneaton, Warwickshire, CV10 7JS

Tel +44 (0) 2476 383792  
Fax +44(0) 2476 344433

Email [sales@cogsdill.co.uk](mailto:sales@cogsdill.co.uk)

[www.cogsdill.co.uk](http://www.cogsdill.co.uk)