



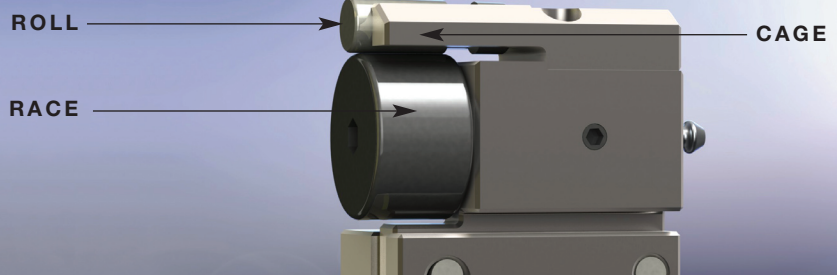
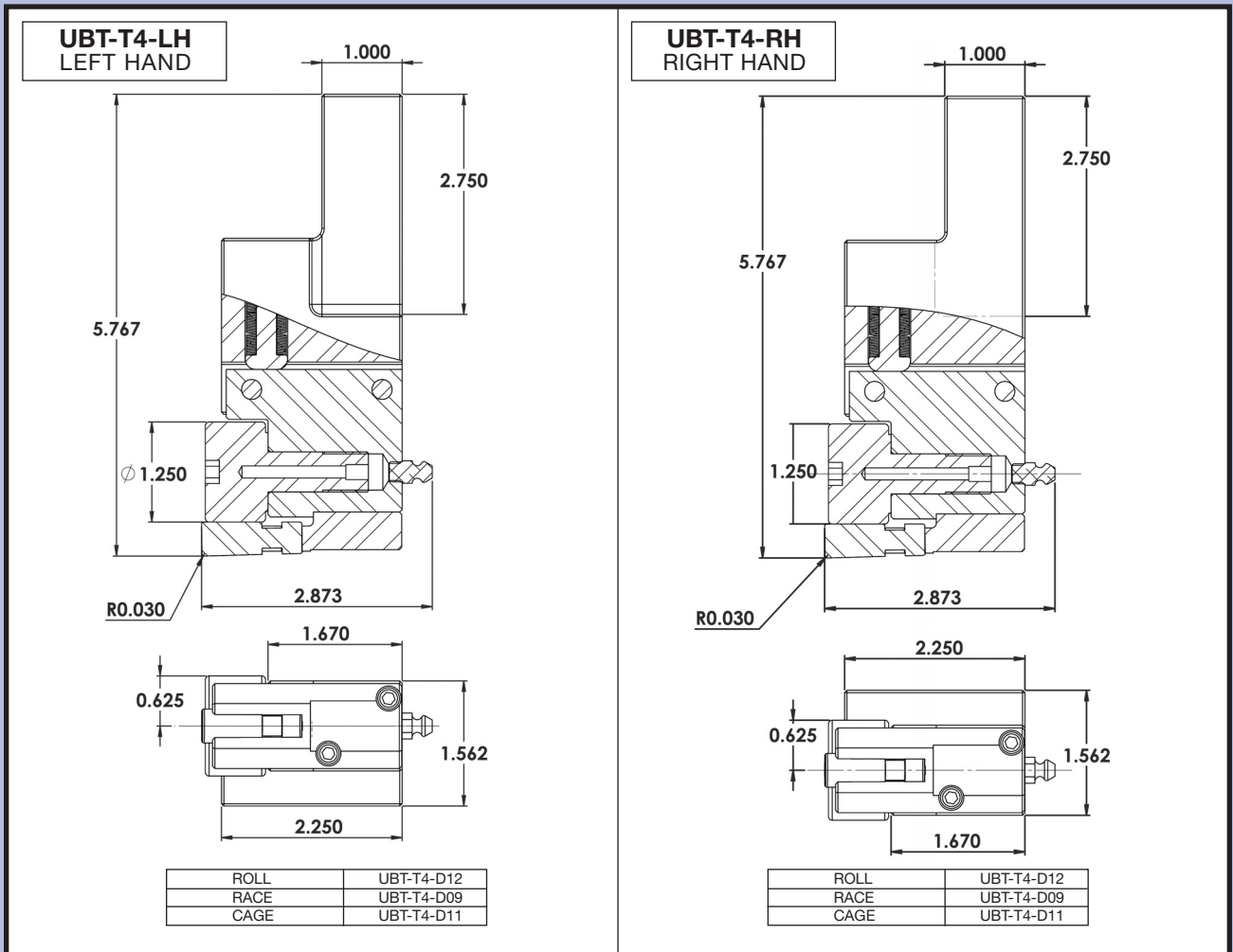
**Universal™  
Burnishing TOOLS**



**Turning-Holder Style UBT-T4**

- ▶ **Compact design for use where limited space is available.**
- ▶ **Designed for, but not limited to, use on multi-spindle automatic and screw type machines.**
- ▶ **Available in both “LH” – left hand and “RH” – right hand models.**
- ▶ **Designed to burnish outside diameters.**
- ▶ **Low surface finishes attainable.**
- ▶ **Adjustable for optimum burnishing pressure.**
- ▶ **Low cost replaceable burnishing roll.**
- ▶ **Standard and available off-the-shelf.**
- ▶ **Refer to Burnishing catalog #500 or visit us online [www.cogsdill.com](http://www.cogsdill.com) for operating information.**

# Universal Burnishing Tools



COGSDILL TOOL PRODUCTS, INC.

**Mailing Address**

P.O. Box 7007  
Camden, SC USA 29021-7007  
Ph. (803) 438-4000  
Fax (803) 438-5263  
www.cogsdill.com  
cogsdill@cogsdill.com

**Shipping Address**

1001 Guion Drive  
Lugoff, SC 29078

COGSDILL-NUNEATON LIMITED

St George's Way  
Bermuda Industrial Estate  
Nuneaton, Warwickshire, CV10 7JS, UK  
Ph. +44 (0) 2476 383792  
Fax +44 (0) 2476 344433  
www.cogsdill.co.uk  
sales@cogsdill.co.uk



Visit us online

[www.cogsdill.com](http://www.cogsdill.com)

BROCHURE NO. 502 U.S. 03-16